



NANO E – CATALOGUE 4TH EDITION

INDUSTRIAL PROCESSES, GREEN BUILDINGS, AND FOOD & AGRICULTURE



MINISTRY OF FOREIGN AFFAIRS
OF DENMARK
The Trade Council

PROPERTY OF THE TRADE COUNCIL AT
[EMBASSY OF DENMARK IN BANGLADESH](#)

Foreword

Denmark and Bangladesh have had a 50-year friendship that is only growing stronger as both nations strive for better sustainability. Denmark offers innovative, efficient, and effective technologies, while Bangladesh is exploring and gradually transitioning to more sustainable practices.

This nano e-catalogue has been compiled and published by the Trade Council at [Embassy of Denmark in Bangladesh](#). The catalogue is a list of Danish technologies for interested stakeholders in Bangladesh. Readers may review the product details and contact the companies directly.

Dhaka, March 2024

Table of Contents

1. Aguardio ApS
2. AJS Ventilation Ltd.
3. All4Recycle
4. Aquaporin A/S
5. AVSAgric
6. BACTOCON
7. DEIF
8. DRYP
9. eco2LIGHT
10. FH Scandinox A/S
11. Firexpress A/S
12. FLSmidth Private Limited
13. Grundfos
14. Hempel Paints Pvt. Ltd.
15. Landmeco
16. Lyninco
17. Nilfisk
18. Orana
19. Rockwool Group
20. SolarLab.dk ApS
21. TransForm af 1994 APS – Danish Rootzone
Technology
22. Vilofoss



Organisation: Aguardio ApS

Website: www.aguardio.com

Address: Aguardio, c/o The Spring, Hasselager Allé 8,
8260 Viby J, Denmark

Point of Contact: Anders Barkholt, CEO

M +45 61141554

Email: ab@aguardio.com

Aguardio's easy-to-use solutions help people live more sustainably by reducing the amount of water and energy they use in the bathroom.

Aguardio believes that the future depends on greater care and respect for the world's resources. Aguardio's sensors help capture, interpret, and communicate water consumption data and translate it into knowledge on behavioural change. They also alert to unnecessary water waste, by detecting leaks from toilets and taps.

Our solutions empower our customers and users to understand the challenges and potentials to reduce water waste.



MINISTRY OF FOREIGN AFFAIRS
OF DENMARK
The Trade Council

Property of The Trade Council - Bangladesh/
Embassy of Denmark, Dhaka



MINISTRY OF FOREIGN AFFAIRS
OF DENMARK
The Trade Council

Property of The Trade Council - Bangladesh/
Embassy of Denmark, Dhaka



Organisation: AJS Ventilation Ltd

Website: www.ajs-ventilation.com

Address: Malervangen 9, 2600 Glostrup, Denmark

Point of Contacts:

JS Ventilation: Søren Duval

M +4520195509

Email: sd@ajs-ventilation.dk

Local Partner: ABG Interlinks Ltd.

AJS Ventilation: S. M. Gofranul Hoque, Managing Director

M +880 (1713) 453249

Email: gofran@ajs-ventilation.com

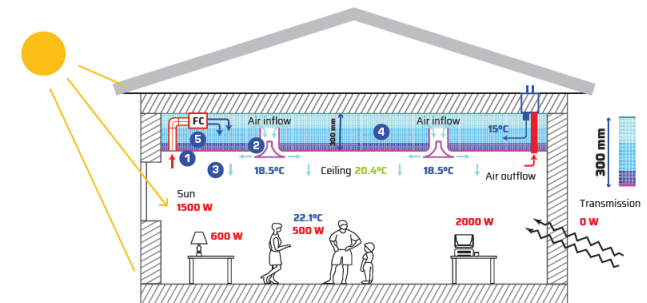
AJS Ventilation is a joint venture between the Danish JS Ventilation and the Bangladeshi ABG Interlinks, established in April 2018. AJS Ventilation brings Danish technology in Bangladesh with a fully trained workforce. ABG Interlinks Ltd. and JS Ventilation's partnership, is offering a fresh and very focused approach to the market of ventilation equipment. It's a partnership accompanied by Danish know how and Bengali competencies.

With the use of natural laws and smart design, AJS Ventilation has invented a combined cooled ceiling and ventilation solution, *Cool Ceiling*, which can reduce the building height or provide space for more floors when constructing multi-story buildings. This means: no ducts, design freedom, shorter construction time, no maintenance, and it contributes to lower energy consumption.



Ventilation principles

- ✓ Sustainability
- ✓ Innovative and simple
- ✓ Aesthetics and common sense



Ceiling Radiative cooling: 72 W/m²
 Air cooling: 40 W/m²
 Floor area: 114 m²
 Ceiling height: 2.7 m

- 1 Metal ceiling
- 2 Air inflow unit
- 3 Cool air
- 4 Hollow space/
Pressure chamber
- 5 FanCoil = FC (Optional)



Organisation: All4recycle ApS

Website: www.all4recycle.com

Address: Kai Lindbergs Gade 50, 7730 Hanstholm, Denmark

Point of Contacts: Lars Steffensen, CEO

M: +45 21 14 37 37

Email: lars@all4recycle.com

All4recycle ApS is a company specialized in environmentally friendly waste recycling solutions.

Our goal is to contribute to reducing CO² emissions and ensuring sustainability by providing solutions that turn waste from small to large retail stores, production facilities and landfills into valuable resources for the recycling industry.

We believe that, by making waste recycling profitable for all, Global Goals concerning Responsible consumption and production (12) and Climate action (13) will be achievable worldwide.

All4recycle ApS work to produce tailor made recycling solutions that compress Expanded Polystyrene (EPS), all types of plastics, cardboard, foam, metal. Our machines also prepare reject and dust materials for recycling.

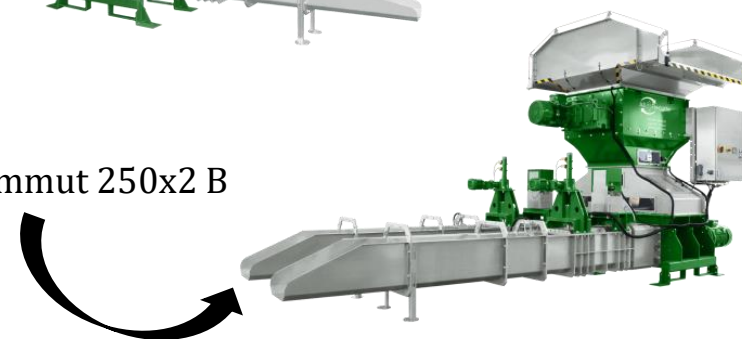
Mammut 15 T



Mammut 200 T



Mammut 250x2 B



The Mammut line uses innovative technology to compress bulky foam waste EPS extremely efficiently into easy to manage, stackable blocks – with no re-expansion.



Organisation: Aquaporin A/S

Website: www.aquaporin.com

Address: Aquaporin A/S – Nymøllevej 78 – 2800 Kongens Lyngby – Denmark

Point of Contact: Søren Robenhagen
Commercial Director, Industrial Water

M +45 53738783 **T** +45 82 30 30 82

Email: sro@aquaporin.com

Aquaporin is an innovative water technology company dedicated to natural water treatment. Aquaporin works to preserve water by combining advanced bioengineering, open innovation and natural aquaporins – nature's own water purifiers, which are embedded into the water purification membranes. Their proprietary technology, Aquaporin Inside®, is based on Nobel Prize-winning research. It is used to clean and reuse water in industries, homes and even by NASA in space.

Aquaporin's two-fold approach of treating industrial water consists of the use two different membrane-based treatment technologies. Aquaporin Inside® CLEAR Brackish Water Reverse Osmosis elements delivering high-quality permeate and low energy consumption is used for process water. Aquaporin Inside® forward osmosis modules reduces wastewater volume up to 50 times and increase water recovery by up to 98% is used for wastewater.



Aquaporin Inside® Hollow fiber forward osmosis modules – for improving water reuse and reducing wastewater



Aquaporin Inside® CLEAR - High Capacity Low Energy Advanced Reverse Osmosis Element Series

Organisation: AVS Agric ApS.

Website: www.avsagric.com

Address: AVS Agric, Sysselbjergvej 27, 6051 Almind, Denmark

Point of Contact: Morten Wagner

M + 45 2946 2442

Email: sales@avsagric.com

AVS Agric specializes in Compact abattoir- and meat processing solutions for 4-legged animals in emerging markets. Our products are modular, pre - mounted solutions - ready for operation at arrival. We provide customized modules that tap directly into client's specifications, or standard modules that can operate separately or form full abattoir and processing line. AVS Agric service clients, who want to operate professionally in the livestock and meat processing industry - in the segment from household to industrial level.

Competitive advantages of our solutions:

- High-capacity Vs investment
- Low operational cost per animal
- Low water and energy consumption
- Modular - grow your business fast or gradually
- No mounting - all installations made
- High quality only – on all equipment and installations.
- Easy to finance
- Movable - if needed.
- Fast-track and ready to operate after arrival.



Our concept is put together a complete package of goods and services, to ensure that the client has everything needed for successful operation



Organisation: BACTOCON

Website: www.bactocon.com

Address: Gottorpvej 15,6400, Sonderborg , Denmark

Point of Contact: Gert Schneider, Director

M +45 4295 4464

Email: info@bactocon.com

BACTOCON is a company specialized in simple wastewater solutions.

Our goal is to make our systems low cost and environmentally sustainable i.e. solar driven and produced by unskilled labours locally.

BACTOCON develops tailor made systems as well as systems that can be produced in larger numbers joined and up/ downscaled as a very flexible system for either domestic or industrial wastewater treatment.

We have more than 25 years' experience in making solutions that satisfy our customers.



MINISTRY OF FOREIGN AFFAIRS
OF DENMARK
The Trade Council

Property of The Trade Council - Bangladesh/
Embassy of Denmark, Dhaka



MINISTRY OF FOREIGN AFFAIRS
OF DENMARK
The Trade Council

Property of The Trade Council - Bangladesh/
Embassy of Denmark, Dhaka



Improve Tomorrow

Organisation: DEIF A/S

Website: www.deif.com

Address: Frisenborgvej 33, 7800 Skive, Denmark

T +45 96149614

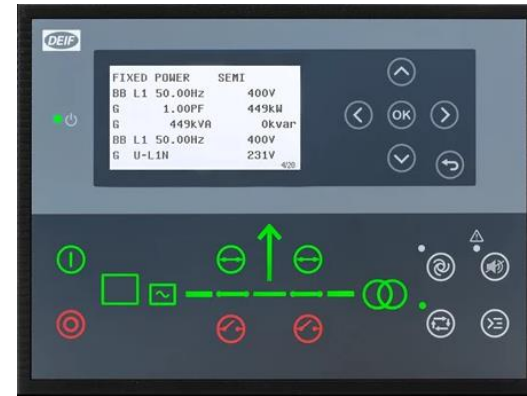
Point of Contact: Akhilesh Pandey, Sales Manager

M +91 97 6968 9116

Email: apa@deif.com

From diesel generators to solar panels and wind energy, spanning applications in hospitals, data centers, industrial manufacturing, switchboards, and air traffic control, the seamless flow of power is paramount. Ensuring efficiency, safety, and environmental sustainability is crucial. At DEIF, we specialize in providing cutting-edge solutions for controlling and safeguarding power systems. Our intelligent and flexible generator controllers and wind turbine controllers enhance power generation efficiency without adding to environmental impact. Utilizing highly configurable electric switchboards, we direct power precisely, ensuring uninterrupted uptime. Our user-friendly bridge instrumentation also enables ships to navigate safely and efficiently, minimizing fuel consumption.

DEIF offers comprehensive control and reliable protection solutions tailored to your needs. Our range includes genset controllers, PLCs, advanced power management solutions, electrical switchboards, and state-of-the-art wind power technology.



AGC 150



SGC MkII 120



SGC MkII 420



Organisation: DRYP A/S

Website: www.drypdata.com

Address: Gdanskgade 2, 2150 Copenhagen

Point of Contact: Peter Rasch, CEO

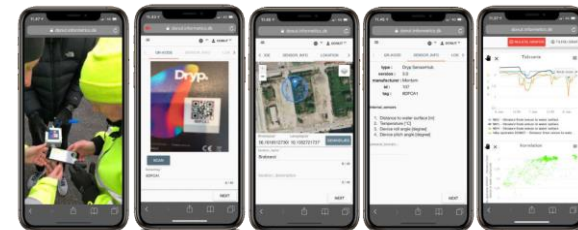
T +45 47 47 69 41

Email: peter@drypdata.com

DRYP A/S offers innovative solutions for monitoring water pathways using high-volume, low-costs sensors in combination with cloud-based dashboards and reporting tools on your mobile devices, PC or SCADA.

Our open-source technology allows for real-time tracking and analysis of groundwater or surface water supply, floods and droughts, for efficient response planning and better water management of reservoir, tanks, gates, etc.

By enabling a detailed view of water flow, DRYP helps site managers, factory planners, city officials etc. to make informed decisions about infrastructure investments, drought or flood management strategies, and water quality initiatives. Ultimately, our monitoring solution is not just about managing water; it's about creating a more resilient, sustainable, and healthier environment.



eco2LIGHT

Organisation: eco2LIGHT A/S

Website: www.eco2light.dk

Address: Gørtlervej 21, 9000 Aalborg

Point of Contact: Peter Balling, Director/Partner

M : +4570701555

Email: pba@eco2light.dk

eco2LIGHT A/S developed a product that could withstand the heat and dust – as well as going from 1000W halogen to 200W LED with lenses to give the lights where it is needed and not just spread around the lamp.

Additionally the power stabilizing controllers have relatively long life expectancy. Using their know-how in transient/in-rush power control the LED “green” lights use less power.

The lights of eco2LIGHT reduce CO2 emissions, are more environmentally friendly, reduce power consumption thereby saving energy savings and improve working condition. It can help the user become more environmentally friendly and ready for adopting more sustainable practices.



High Roof WITH surge protection on each item



Below 240.000 LUX with SURGE and Transient PROTECTION for large outside areas



Retro-fit solutions WITH Isolated driver inside



Organisation: FH Scandinox A/S

Website: www.fhscandinox.com

Address: Kærhusvej 4, Hoven, 6880 Tarm, Denmark

Point of Contact: Steffen Jakobsen, Project Manager

M +45 28128661

Email: sja@fhscandinox.com

FH SCANDINOX A/S – “the partner in food process engineering”.

A leading world-wide supplier of Danish designed food- and beverage processing equipment. Proudly engineering and manufacturing new and second-hand equipment since 1979. Recent implementation of FH Scandinox’s own state-of-the-art technology centre in Denmark offers customers the possibility of testing innovative products in pilot scale within the oils & fats industry.

Among others, Scandinox’s offers:

- Complete margarine lines
- Dairy- Ice cream equipment
- Other food- and beverage equipment
- Pilot plants
- Homogenisers
- Separators
- Stainless steel tanks
- Sanitary pumps
- Sanitary valves
- ‘One stop’ spare part supply



Pilot Plant



Organisation: Firexpress A/S

Website: www.firexpress.com

Address: Lille Blødevej 3, 3600 Frederikssund, Denmark

Point of Contact: Henrik Naaby, Managing Director

T +45 4731 3045

M +45 2124 0545

Email: firexpress@firexpress.com

Firexpress produce First Strike Firefighting concepts, designed to give an immediate first strike capability on a wide range of different types of fires - from deep-seated Class A fires to difficult class B and electrical fires.

Firexpress's products use the combined micro-drops/foam technology which enable the user to perform maximum firefighting with minimum use of water and foam under due consideration of the environment.

The product portfolio contains a range of systems able to satisfy any need for mobile and stationary firefighting equipment. Constantly improving and developing new designs for customers' special requirements, Firexpress has customers in more than 40 countries world-wide.



Tank Unit



Mobile Units



50L Trolley



150L Cart



Motorbike



UTV



ATV



Organisation: FLSmidth Private Limited

Website: www.flsmidth.com

Address: FLSmidth House, 34, Egatoor, Kelambakkam (Rajiv Gandhi Salai - Chennai), Tamilnadu 603 103

Point of Contact: Sheeba Priya P P, Regional Marketing Manager, Sub-Saharan Africa, Middle East & South Asia

T +91 44 27411000 / 47481000 / 47481008

Email: indiainfo@flsmidth.com

Sustainable productivity through innovation

FLSmidth is a full flowsheet technology and service supplier to the global mining and cement industries. We help our customers to improve performance, lower operating costs and reduce environmental impact.

MissionZero is our sustainability ambition towards zero emissions in mining and cement by 2030. FLSmidth works within fully validated Science-Based Targets, our commitment to keep global warming below 1.5°C and to becoming carbon neutral in our own operations by 2030.





Organisation: GRUNDFOS

Website: www.grundfos.com

Address: Grundfos Holding A/S, Poul Due Jensens vej7,
8850 Bjerringbro, Denmark.

Bangladesh Address: Grundfos Pumps India Pvt. Ltd, C/o
Locus, Tower 52, Level – 05, Road – 11, Banani, Dhaka
1213, Bangladesh

Point of Contact: Mahmudul Hasan Oyon
Manager, Industry Sales - Bangladesh

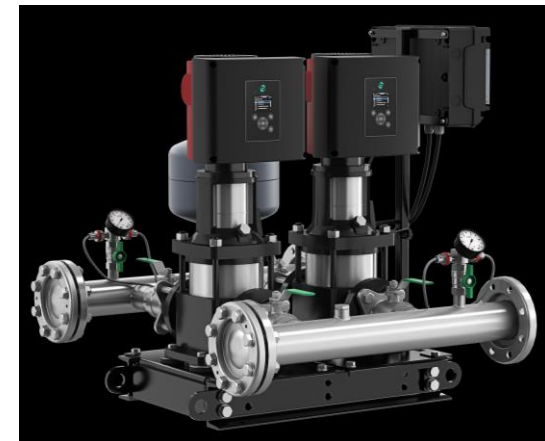
M +8801918170079

Email: moyon@grundfos.com

GRUNDFOS is a global water technology company committed to pioneering solutions to the world's water and climate challenges and improving the quality of life for people. We are an organization with local mind set in understanding customer needs and offering our solutions. Sustainability is in everything we do tirelessly to improve water and energy efficiency and believe in making a difference. Grundfos offers application specific solution, encompassing efficiency, reliability and customized offerings for every industry.



CRE Pump



Hydro Multi- E Pumps



Organisation: Hempel Paints Pvt. Ltd.

Website: www.hempel.com/en-sea

Address: Hempel Paints India Pvt Ltd., Office number 2: 4th Floor, B Wing, Art Guild House, Kurla, Mumbai 400 070, India

Point of Contact: Anamitra Basu, Distribution Manager
M +919674373882

Email: anaa@hempel.com

Hempel develops and manufactures coating solutions for the protective, decorative, marine, container, industrial and yacht segments. Across the globe, Hempel products protect, beautify and improve the performance of customers' most valuable assets.

At Hempel, the purpose is to shape a brighter future with sustainable coating solutions. With the firm belief that success will follow if sustainability is at the core, Hempel deems that not only is it the right thing to do, it will strengthen Hempel's competitive position, make them more resilient and reduce risk.

Hempel was founded in Copenhagen, Denmark in 1915. It is proudly owned by the Hempel Foundation, which ensures a solid economic base for the Hempel Group and supports cultural, social, humanitarian and scientific purposes around the world.





Organisation: Landmeco A/S
Website: www.landmeco.com
Address: Haulundvej 16, Ølgod 6870
Point of Contact: Frank Andreasen, Regional Sales
Director
M: +4529686807
Email: fra@landmeco.dk

LANDMECO is the largest supplier of poultry equipment in Scandinavia. LANDMECO have designed and manufactured our products in more than 40 years. From inception, we aimed to create products that not only are good for the birds, but also are functional and reliable and provides our customers 'good value for money'. LANDMECO will only deliver good quality. LANDMECO's machinery is completely up-to-date with fully automated robotic cells.

We produce all the products for broiler, broiler breeder and layer for free range production. We supply our unique Feed pan KickOff 330° which secures a better start for the birds, has proven result of better growth, lower FCR, higher survival rate. The product is easier to clean, ensuring higher hygiene. Besides that, we also supply our unique nest for the broiler breeder houses, together with our reliable feeding systems.





Organisation: Lyninco ApS

Website: www.lyninco.com

Address: Christian Xs Alle 116, DK 2800 Lyngby, Denmark

Point of Contact: Hans G. Enggrob, CEO

T: +45 20 43 19 16

Email: hge@lyninco.com

Water Management engineering consulting and service provider (data-as-a-service) implementing Smart Water solutions for industries, cities, river managers, hydropower, ports, and authorities with focus on South Asia and India.

Services provided by Lyninco and its co-owned subsidiary Enggrob & Singh Pvt. Ltd. to organisations like manufacturing companies, public health and engineering or water resource departments, reservoir owners, consulting firms, development banks like Asian Development Bank, are:

- Hydraulic engineering: Project appraisal, data management, modelling, planning, design, optimisation of water infrastructure
- Capacity building and training: Organisational design for digitalisation, training in use of data systems, appraisal of needs, technology transfer
- Smart Water (IoT) monitoring sensors and dashboards, water treatment and similar technologies imported from Europe
- Project development and management: Team leader in international projects, new business for clients, fund raising, quality assurance





Organisation: Nilfisk India Pvt. Ltd.

Website: www.nilfisk.com

Address: Nextech Solutions Limited.

Suit 3B, Plot 01, Road 04, Gulshan Pragati Sharani Link Road, Mid. Badda., Gulshan 1, Dhaka 1212, Bangladesh

Point of Contact: Aseem Kohli

M +91 9606016020

Email: akohli@nilfisk.com

Nilfisk is an established leader in cleaning technology; with products designed by experts in the industry, to provide solutions ensuring a high hygienic standard across a variety of applications. Committed to a cleaner world, and driven by a passion for innovation, knowledge, sustainability, and transformative technologies, Nilfisk is set to be a leader in the professional cleaning industry and prepared to excel in the new era of intelligent cleaning. As a trusted partner when it comes to equipment and services anywhere in the world, Nilfisk makes it their business to help their customers maximize their performance.

Nilfisk's specialty product line includes - commercial, industrial floor cleaning equipment, maintenance equipment, cleaning equipment, floorcare, autonomous cleaning solutions, consumer goods, and high pressure washers.



Autonomous Floor Cleaning



Oil and Shavings VAC



Combination Machines



Food Pharma and OEM



Scrubber



Sweeper



Single Phase Wet & Dry Vacuum Cleaner



Organisation: Orana A/S

Website: www.orana.dk

Address: Rynkebyvej 243, 5350 Rynkeby

Point of Contact: Maruf Muhammad Ahsanur Rahman,

Assistant Sales Manager

M +8801841147031

Email: mmr@orana.dk

Fruit and Plant Based Raw Materials

Preparations – Compounds Fillings – Pulps – Natural Extracts

Orana is a multinational company with more than 80 years of experience within the food & beverage industry. With a sincere and simple aim to create tasteful quality products from natural fruit and plant based raw materials, we deliver product solutions to beverage, dairy and bakery industries around the world.

Quality by Nature - the sustainable way



MINISTRY OF FOREIGN AFFAIRS
OF DENMARK
The Trade Council

Property of The Trade Council - Bangladesh/
Embassy of Denmark, Dhaka



MINISTRY OF FOREIGN AFFAIRS
OF DENMARK
The Trade Council

Property of The Trade Council - Bangladesh/
Embassy of Denmark, Dhaka



Organisation: Rockwool Group

Website: www.rockwool.com/in

Address: Wing B-2, 2nd Floor, Unit No. 206, Boomerang,
Near Chandivali Film Studio, Chandivali Farm Road,
Andheri (E), Mumbai – 400072, Maharashtra, India
CIN: U26900GJ2010FTC059332

M +91 98 4504 3646

Point of Contact: Debapratim Dinda, Marketing Manager-
India, Regional Technical Manager- Asia

Email: deb@rockwool.com

The Rockwool Group-a Danish multinational is more than 85+ years old in the insulation business and operates 47 manufacturing facilities and have a global network of sales offices, distributors and partners across the world. Ever since it was founded, ROCKWOOL has had one single-minded purpose: Releasing Natural Power of Stone to enrich modern living. All ROCKWOOL Stone Wool insulation products possess outstanding fire, acoustic and thermal insulation properties as well as a lifelong durability, making it the sustainable and cost-effective choice. Roxul-Rockwool Technical Insulation India Private Ltd., is a fully owned subsidiary of ROCKWOOL International and has state of the art manufacturing facility in Gujarat-India with an annual capacity of 30,000 metric tons of high quality stone wool insulation for building and industrial requirement.



Safe 'n' Silent Pro-min



ProRox Slab



Lamrock 3d box with product-min



ProRox Wired Mats



Cool and Comfort Blankets - min

SolarLab

Organisation: SolarLab Denmark

Website: www.solarlab.global

Address: Industrivej 8 DK-8260, Viby J - Aarhus - Denmark

Point of Contact: Anders Smith

M +45 93 100 108

Email: Contact@SolarLab.global

SolarLab designs and produce bespoke electricity producing facades that invisibly integrate high-efficiency PV on both new buildings and renovations. Available as ventilated rain-screens, curtain-walls and louvered solutions they replace traditional claddings with a low-maintenance, durable and dynamic material and positive financial and environmental return on investment. Solar facades go beyond BIPV and provide cost and carbon free electricity that ensure resiliency without sacrificing rooftops, so they can be utilized for social activities, rainwater management or micro-climate and biodiversity supporting green roofs.

Solarlab provide design freedom to panellise a facade with a non-fading and self-cleaning material to ensure a long life and seamless integration. We produce our solar-facades in Denmark and engineer them for longevity, resiliency and a circular resource economy.





Organisation: TransForm af 1994 APS – Danish Rootzone Technology

Website: www.bacess.dk ; www.rootzone.dk

Address: TRANSFORM AF 1994 APS, Jægersborgvej 1, DK-9520 Skørping

Point of Contact: Mikkel Dalsgaard, CEO & Co-owner

T +45 42 95 12 11

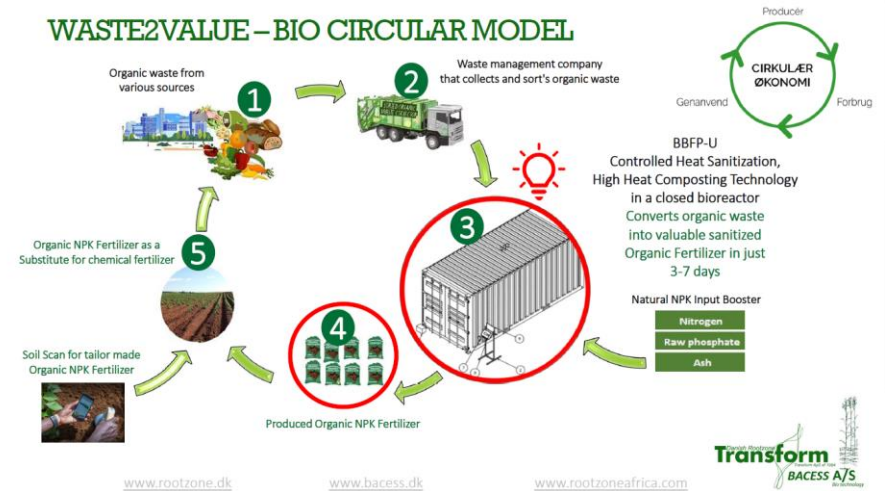
Email: md@rootzone.dk

TransForm af 1994 APS – Danish Rootzone Technology, is a private Danish Bio engineering Company with more than 35 years of experience in Environmental Engineering. Transform has set up 1000 projects worldwide in more than 30 countries. We Design, Supervise, Construct and Operate sustainable and environment friendly systems. Our work areas are all based on natural processing, that means low costs, no energy and no chemicals needed. The systems are pragmatic by effects like recirculation, reuse and positive carbon credit.

Wastewater, sewage, sludge, and air are treated with Rootzone, an active soil filter with high sorption and biological activity, that may open for recirculation of water. Garbage and solid waste are transferred by high temperature composting to high valued bio-fertilizer. Natural cooling/heating is based on natural ventilation with healthy indoor climate as part of ecological urbanization together with several other bio engineering technologies.



WASTE2VALUE – BIO CIRCULAR MODEL



VILOFOSS®

Organisation: Vilofoss

Website: www.vilofoss.com

Address: Vilofoss Ballesvej 2, DK-7000 Fredericia,
Denmark

Point of Contact: Anders S. Nielsen, Senior Manager
International Sales

M +45 6175 0754

Email: asn@vilofoss.com

Feeding success – Together

Our goal at Vilofoss is to be your partner when it comes to innovative solutions for animal feed. We offer vitamin and mineral compounds and premixes, as well as a wide range of supplementary products, additives, veterinary products, products for disinfection, and other unique troubleshooters like X-Zelit.

Besides our top-quality products, we also employ some of the best experts when it comes to animal production. We combine global knowledge with local expertise, and we want to help you, our customers and partners, by sharing knowledge and creating the products that you need.

At Vilofoss, we will support you and your work, so that together we can keep feeding the world in an innovative and sustainable way.

x zelit



